



Automatic Lint Filter

Series 250,350,450,650,800,1100

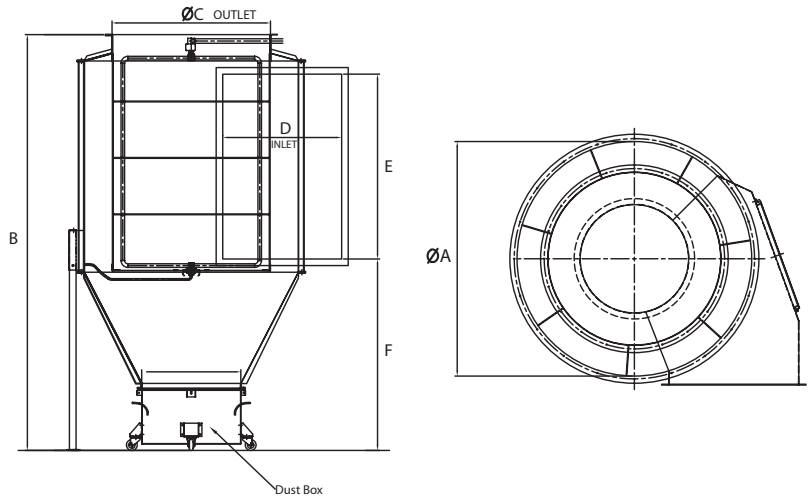
SPECIFICATION

Standard Features :

- Timer control
- Dry lint filter type
- Automatic cleaning
- Fire suppression system
- Voltage : 220 V / 50 Hz / 1 ph
- Automatic operation with dryers
- Heavy duty construction with 3 layers rust proof paint

MODEL	ALF250	ALF350	ALF450	ALF650	ALF800	ALF1100
Dry Max. (lbs.)	250	350	450	650	800	1100
CFM	6500	10000	15000	20000	25000	40000
Screen Area (sq.ft)	21	30	45	68	83	130
ØA	1120	1120	1270	1625	2540	1625x2
B	1850	2250	2600	3000	3100	3000
ØC	650	650	800	1200	1600	1200
D	550	610	760	900	1270	1797
E	850	950	1095	1400	1270	1400
F	865	1165	1335	1450	1630	1450

Specification of design is subject to change without notice. For additional options please consult factory and distributor.



ISO 9001 : 2008

ISO 14001 : 2004